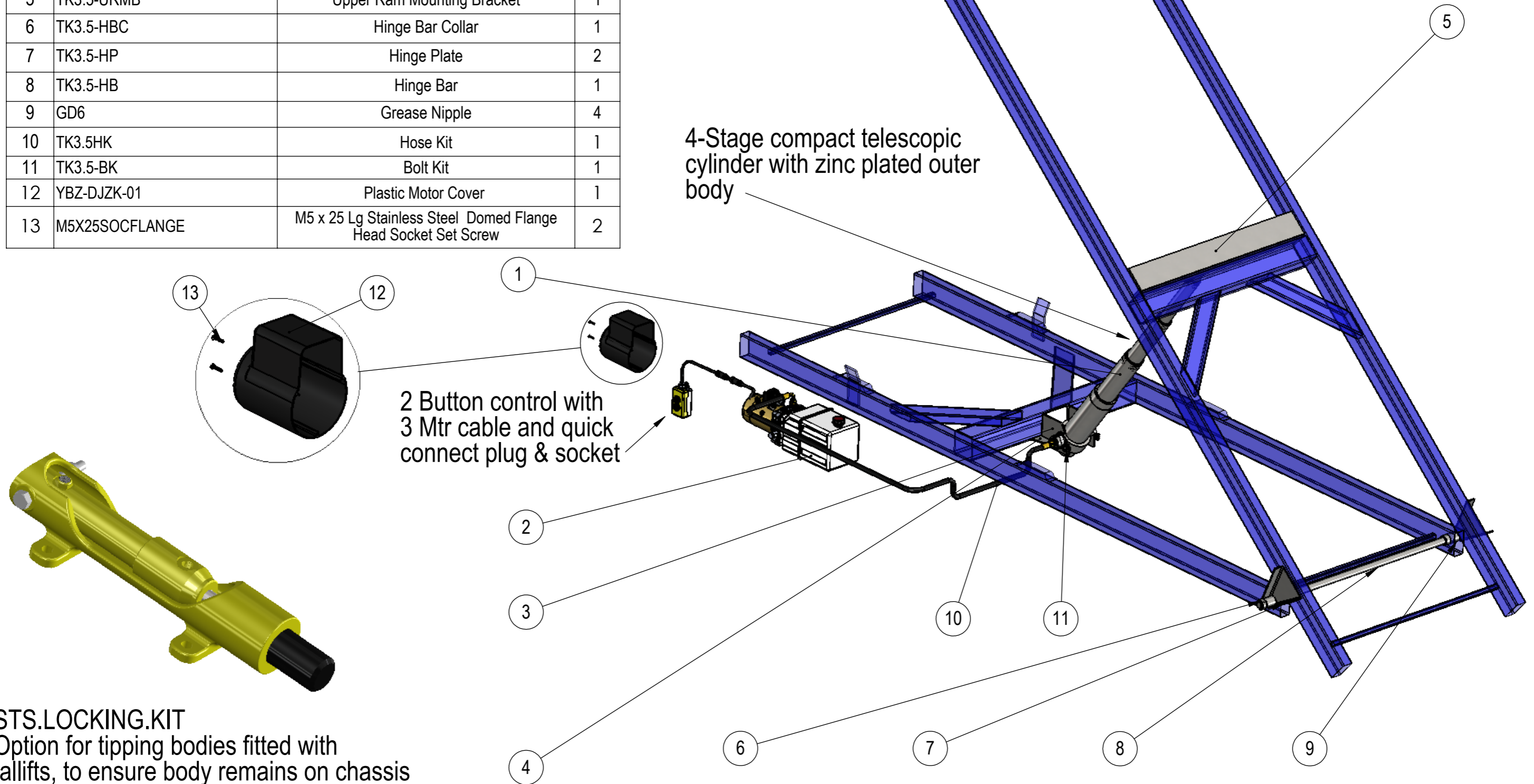


ITEM NO.	PART NUMBER	DESCRIPTION	QTY.
1	430.360GZ	4 Stage Telescopic Ram	1
2	YBZ6-F2.7B1W2-WUJAN1-RC	12V DC Tipper Power Pack c/w Hand Control	1
3	TK3.5-LRMB	Lower Ram Mounting Bracket	1
4	TK3.5-LRMBG	Lower Ram Mounting Bracket Gusset	2
5	TK3.5-URMB	Upper Ram Mounting Bracket	1
6	TK3.5-HBC	Hinge Bar Collar	1
7	TK3.5-HP	Hinge Plate	2
8	TK3.5-HB	Hinge Bar	1
9	GD6	Grease Nipple	4
10	TK3.5HK	Hose Kit	1
11	TK3.5-BK	Bolt Kit	1
12	YBZ-DJZK-01	Plastic Motor Cover	1
13	M5X25SOCFLANGE	M5 x 25 Lg Stainless Steel Domed Flange Head Socket Set Screw	2

Full technical layout drawing available showing key mounting dimensions



**STS.LOCKING.KIT**  
 Option for tipping bodies fitted with tallifts, to ensure body remains on chassis when tallift is in operation

This tipping kit is to suit 3.5 Tonne G.V.W. vehicles and ideally suited to a body length of 10' 6" (3.2 Metres) Other tipping kits are available to suit other applications

Kit Part No:- TK3512V