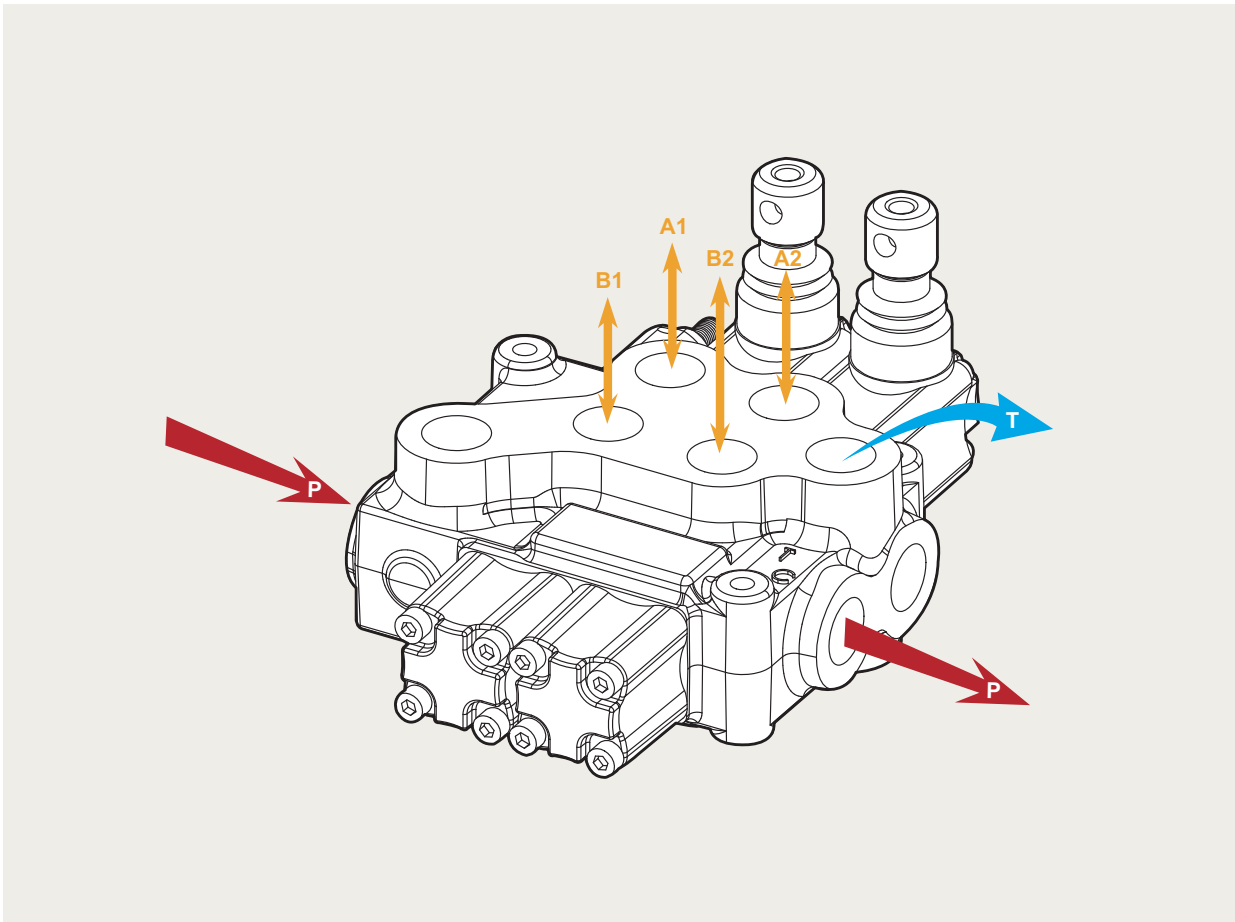


MB-4

Monoblock Directional Control Valves



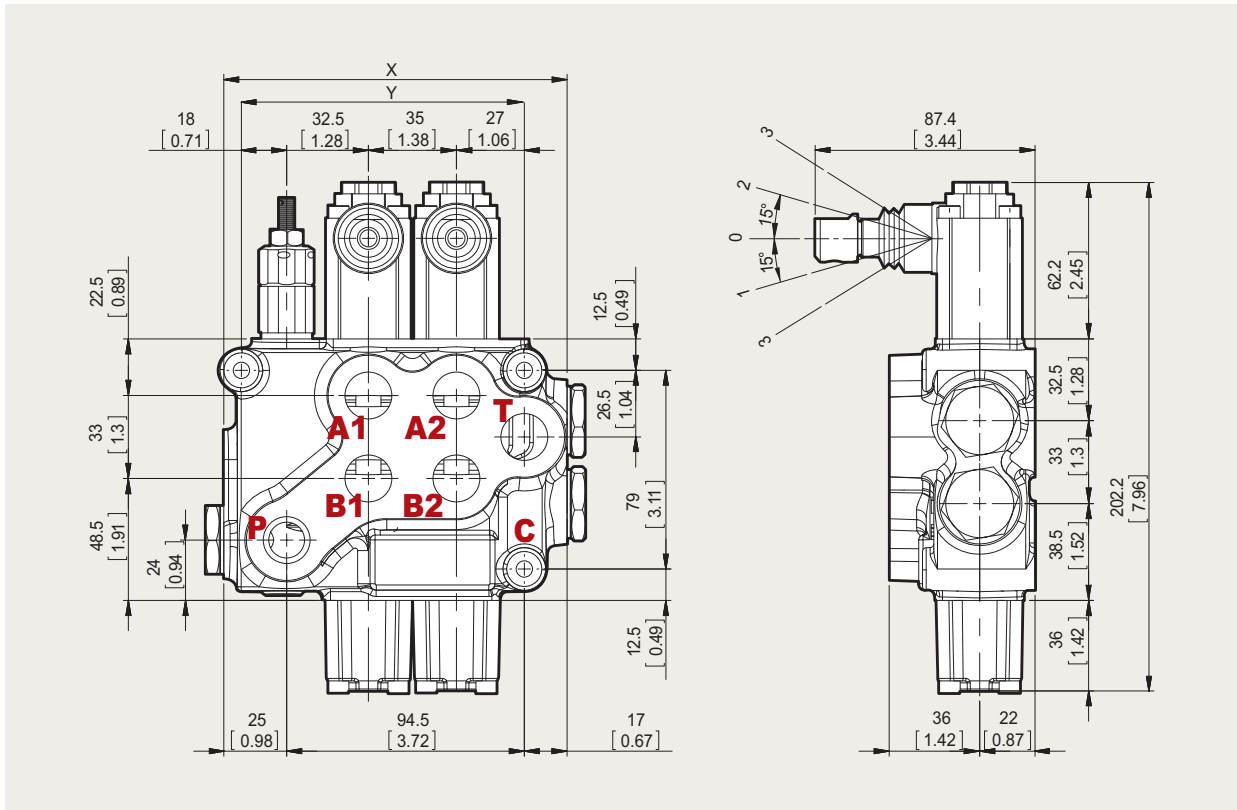
MB-4 Specifications

Nominal flow rate		60 l/min	16 US gpm
Operating pressure (maximum)	parallel or tandem circuit	315 bar	4600 psi
	series circuit	210 bar	3050 psi
Back pressure (maximum)	on outlet port T	25 bar	360 psi
Fluid temperature range	with NBR(BUNA-N) seals	from - 20° to 80°C	from - 4° to 176° F
	with FPM(VITON) seal	from - 20° to 100°C	from - 4° to 212° F
Viscosity	operating range	from 15 to 75 mm ² /s	from 15 to 75 cst
	min.	12 mm ² /s	12 cst
	max.	400 mm ² /s	400 cst
Ambient temperature range		from - 40° to 60°C	from - 40° to 140° F

• All specifications, dimensions and design characteristics shown in this catalogue are subject to change without notice.

MB-4 Dimensions

Monoblock Directional Control Valves



Standard threads

Ports	Inlet P	A and B	Outlet T and C
BSP	G1/2	G1/2	G1/2
UN-UNF	3/4-16 UNF-2B (SAE 8)	3/4-16 UNF-2B (SAE 8)	3/4-16 UNF-2B (SAE 8)
METRIC	M18x1.5	M18x1.5	M18x1.5

• G-1/2 : G4 G-3/8 : G3 G-3/4 : G6
 • SAE 8: E8 SAE 10: E10 SAE 12: E12 SAE 16: E16

Standard dimensions

TYPE	X		Y	
	mm	in	mm	in
MB4 /1S	101.5	4	77.5	3.05
MB4 /2S	136.5	5.37	112.5	4.33
MB4 /3S	171.5	6.75	147.5	5.81
MB4 /4S	206.5	8.13	182.5	7.19
MB4 /5S	241.5	9.51	217.5	8.56
MB4 /6S	276.5	10.89	252.5	9.94