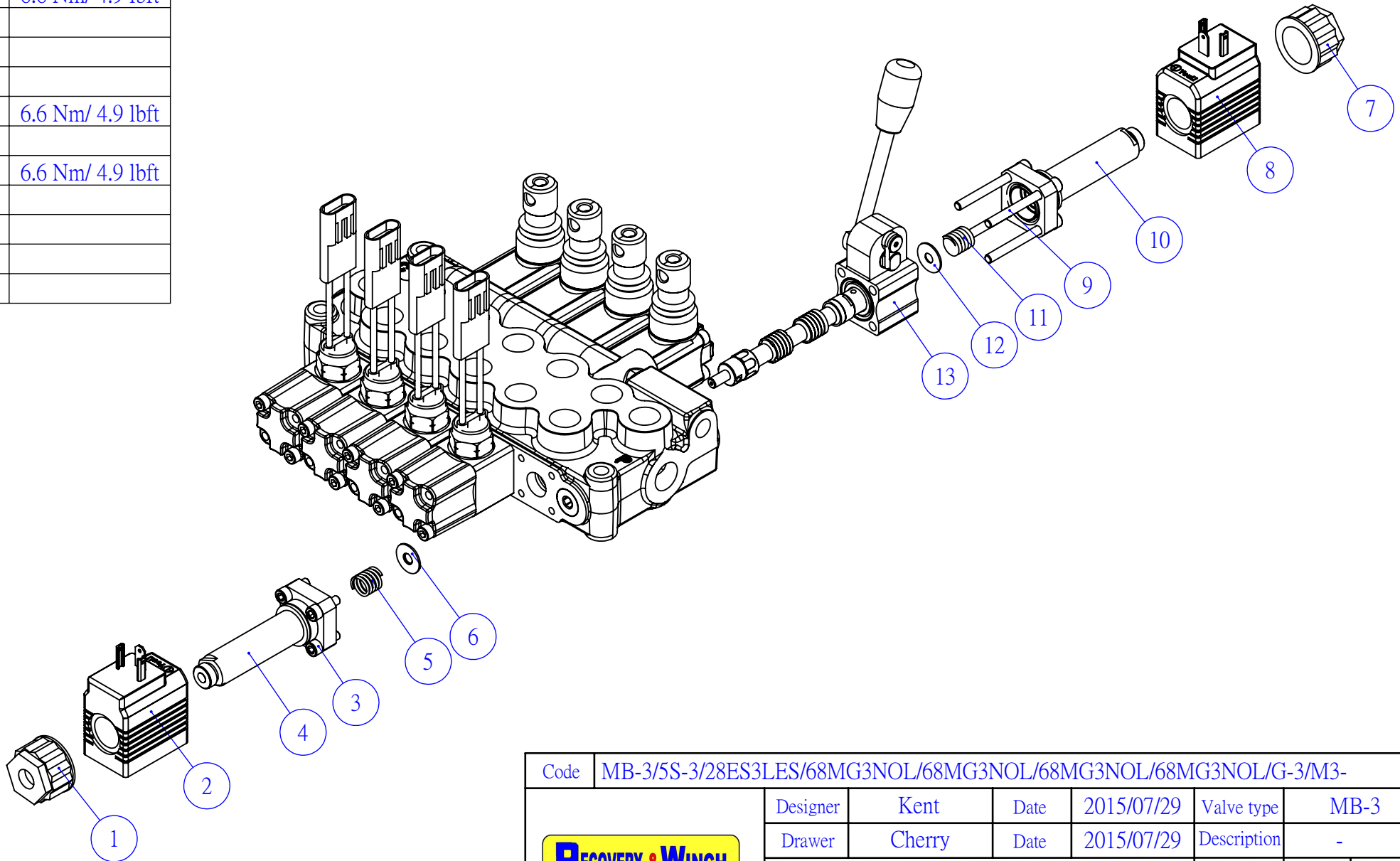

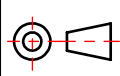


Item	Torque
1	6.6 Nm/ 4.9 lbft
2	
3	6.6 Nm/ 4.9 lbft
4	
5	
6	
7	6.6 Nm/ 4.9 lbft
8	
9	6.6 Nm/ 4.9 lbft
10	
11	
12	
13	



Code	MB-3/5S-3/28ES3LES/68MG3NOL/68MG3NOL/68MG3NOL/68MG3NOL/G-3/M3-					
Designer	Kent	Date	2015/07/29	Valve type	MB-3	
Drawer	Cherry	Date	2015/07/29	Description	-	
					Unit	mm
					Scale	1:3
RECOVERY AND WINCH						